

Philips StoreFlux GD51xZ

Installation instructions

Instructions de montage

Montageanleitung

Montage instruktio

Instruzioni di montaggio

Instrucciones de montaje

Instruções de montagem

Monteringsinstruktioner

Monteringsvejledning

Kokoonpano- ja kiinnitysohjeet

Montaj yönergesi

Odhgjez synarmologhshz

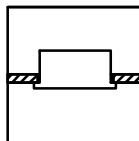
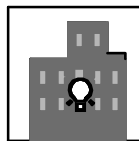
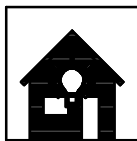
Instrukcja montazu

Szerelési utasítások

Návod k montázi

bycnherwbz gj vjynf:e

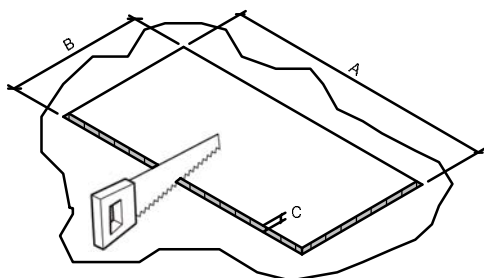
Návod k montázi



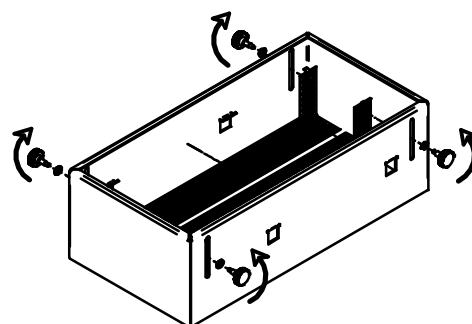
Mounting dimensions (mm)

		A	B	C
GD511Z	0,8	153	153	5-30
GD512Z	1,2	300	153	5-30
GD513Z	1,5	447	153	5-30
GD514Z	2,0	594	153	5-30
GD515Z	1,5	300	300	5-30

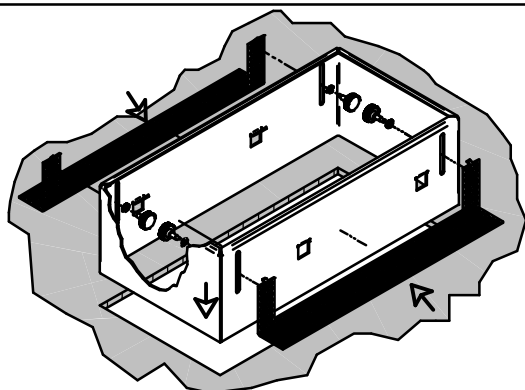
1.



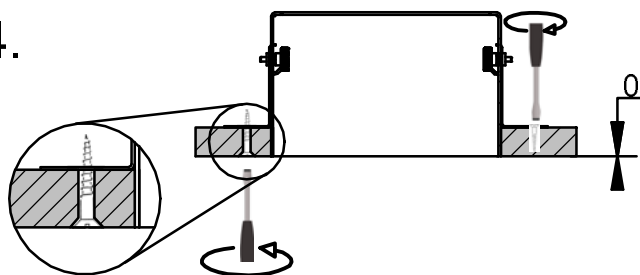
2.



3.

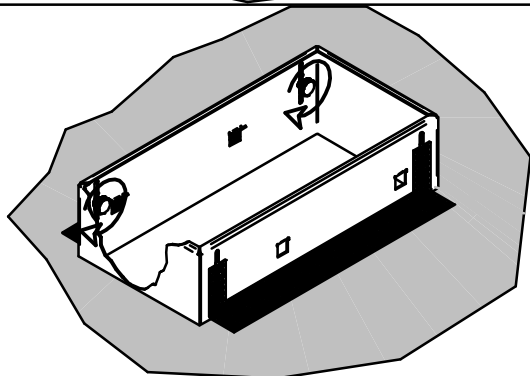


4.

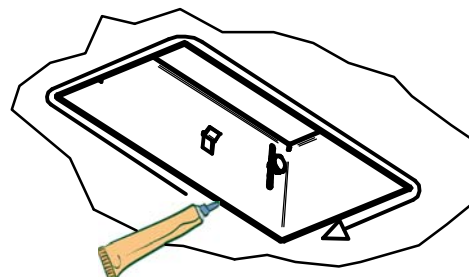


Fixing with min. 4 pcs screw from the top or the bottom of ceiling.
Screw type depend on material and thicknes of ceiling.

5.



6.



Fill the gaps with sealant and sanding down before painting.

4443 160 02571

Version date : 30/07/12

Data Subject to change without notice

Printed in EU

www.philips.com/lighting

PHILIPS